

FEATURES

- Wide Bandwidth
- Low Power Consumption
- Low Noise Figure
- Miniature Sizes for drop-In Assembly
- Hermetically Sealed Package for Military Application



APPLICATIONS

- Microwave Radio & VSAT
- Military & Space
- Test Instrumentation
- Fiber Optics

SPECIFICATIONS@25°C:

Part Number	Frequency Range (GHz)	Gain (dB.Min)	SS Flatness (±dB.Max.)	N.F (dB.Max)	P1dB (dBm.min)	VSWR Max	Current@ 12-15 VDC (mA. Typ)	Case Type
MNM007011G2027	0.77-1.11	20	1.5	6	27	2:1	750	DH4
MNM009011G3030	0.9-1.1	30	0.5	5	30	2:1	1000	BH3/BH4
MNM009011G3027	0.9-1.1	30	0.5	3	27	2:1	350	BH3/BH4
MNM009011G3023	0.9-1.1	30	0.5	3	23	2:1	350	BH3/BH4
MNM010012G3030	1-1.2	30	0.5	5	30	2:1	1000	BH3/BH4
MNM010012G3027	1-1.2	30	0.5	4	27	2:1	700	BH3/BH4
MNM010012G3023	1-1.2	30	0.5	3	23	2:1	350	BH3/BH4
MNM011013G3030	1.1-1.3	30	0.5	5	30	2:1	1000	BH3/BH4
MNM011013G3027	1.1-1.3	30	0.5	4	27	2:1	700	BH3/BH4
MNM011013G3023	1.1-1.3	30	0.5	3	23	2:1	350	BH3/BH4
MNM012014G3030	1.2-1.4	30	0.5	5	30	2:1	1000	BH3/BH4
MNM012014G3027	1.2-1.4	30	0.5	4	27	2:1	700	BH3/BH4
MNM012014G3023	1.2-1.4	30	0.5	3	23	2:1	350	BH3/BH4
MNM012017G4225	1.25-1.75	42	1	1.7	25	2:1	340	BH3/BH4
MNM013015G3030	1.3-1.5	30	0.5	5	30	2:1	1000	BH3/BH4
MNM013015G3027	1.3-1.5	30	0.5	4	27	2:1	700	BH3/BH4
MNM013015G3023	1.3-1.5	30	0.5	3	23	2:1	350	BH3/BH4
MNM014016G3030	1.4-1.6	30	0.5	5	30	2:1	1000	BH3/BH4
MNM014016G3027	1.4-1.6	30	0.5	4	27	2:1	700	BH3/BH4
MNM014016G3023	1.4-1.6	30	0.5	3	23	2:1	350	BH3/BH4
MNM015017G3030	1.5-1.7	30	0.5	5	30	2:1	1000	BH3/BH4
MNM015017G3027	1.5-1.7	30	0.5	4	27	2:1	700	BH3/BH4
MNM015017G3023	1.5-1.7	30	0.5	3	23	2:1	350	BH3/BH4
MNM016018G3030	1.6-1.8	30	0.5	5	30	2:1	1000	BH3/BH4



NARROW BAND MEDIUM POWER AMPLIFIER

Part Number	Frequency Range (GHz)	Gain (dB.Min)	SS Flatness (\pm dB.Max.)	N.F (dB.Max)	P1dB (dBm.min)	VSWR Max	Current@ 12-15 VDC (mA. Typ)	Case Type
MNM016018G3027	1.6-1.8	30	0.5	4	27	2:1	700	BH3/BH4
MNM016018G3023	1.6-1.8	30	0.5	3	23	2:1	350	BH3/BH4
MNM017019G3030	1.7-1.9	30	0.5	5	30	2:1	1000	BH3/BH4
MNM017019G3027	1.7-1.9	30	0.5	4	27	2:1	700	BH3/BH4
MNM017019G3023	1.7-1.9	30	0.5	3	23	2:1	350	BH3/BH4
MNM018020G3030	1.8-2.0	30	0.5	5	30	2:1	1000	BH3/BH4
MNM018020G3027	1.8-2.0	30	0.5	4	27	2:1	700	BH3/BH4
MNM018020G3023	1.8-2.0	30	0.5	3	23	2:1	350	BH3/BH4
MNM019021G3030	1.9-2.1	30	0.5	5	30	2:1	1000	BH3/BH4
MNM019021G3027	1.9-2.1	30	0.5	4	27	2:1	700	BH3/BH4
MNM019021G3023	1.9-2.1	30	0.5	3	23	2:1	350	BH3/BH4
MNM020022G3030	2.0-2.2	30	0.5	5	30	2:1	1000	BH3/BH4
MNM020022G3027	2.0-2.2	30	0.5	4	27	2:1	700	BH3/BH4
MNM020022G3023	2.0-2.2	30	0.5	3	23	2:1	350	BH3/BH4
MNM021023G3030	2.1-2.3	30	0.5	5	30	2:1	1000	BH3/BH4
MNM021023G3027	2.1-2.3	30	0.5	4	27	2:1	700	BH3/BH4
MNM021023G3023	2.1-2.3	30	0.5	3	23	2:1	350	BH3/BH4
MNM022024G3030	2.2-2.4	30	0.5	5	30	2:1	1000	BH3/BH4
MNM022024G3027	2.2-2.4	30	0.5	4	27	2:1	700	BH3/BH4
MNM022024G3023	2.2-2.4	30	0.5	3	23	2:1	350	BH3/BH4
MNM023025G3030	2.3-2.5	30	0.5	5	30	2:1	1000	BH3/BH4
MNM023025G3027	2.3-2.5	30	0.5	4	27	2:1	700	BH3/BH4
MNM023025G3023	2.3-2.5	30	0.5	3	23	2:1	350	BH3/BH4
MNM023027G3530	2.3-2.7	35	1	6	30	1.6/1.8	850	DH6
MNM023024G1230	2.35-2.45	12	0.8	/	30	1.5:1	400	BH8
MNM024026G3030	2.4-2.6	30	0.5	5	30	2:1	1000	BH3/BH4
MNM024026G3027	2.4-2.6	30	0.5	4	27	2:1	700	BH3/BH4
MNM024026G3023	2.4-2.6	30	0.5	3	23	2:1	350	BH3/BH4
MNM025027G3030	2.5-2.7	30	0.5	5	30	2:1	1000	BH3/BH4
MNM025027G3027	2.5-2.7	30	0.5	4	27	2:1	700	BH3/BH4
MNM025027G3023	2.5-2.7	30	0.5	3	23	2:1	350	BH3/BH4
MNM026028G3030	2.6-2.8	30	0.5	5	30	2:1	1000	BH3/BH4
MNM026028G3027	2.6-2.8	30	0.5	4	27	2:1	700	BH3/BH4
MNM026028G3023	2.6-2.8	30	0.5	3	23	2:1	350	BH3/BH4
MNM027029G3030	2.7-2.9	30	0.5	5	30	2:1	1000	BH3/BH4



NARROW BAND MEDIUM POWER AMPLIFIER

Part Number	Frequency Range (GHz)	Gain (dB.Min)	SS Flatness (\pm dB.Max.)	N.F (dB.Max)	P1dB (dBm.min)	VSWR Max	Current@ 12-15 VDC (mA. Typ)	Case Type
MNM027029G3027	2.7-2.9	30	0.5	4	27	2:1	700	BH3/BH4
MNM027029G3023	2.7-2.9	30	0.5	3	23	2:1	350	BH3/BH4
MNM027032G3024	2.75-3.2	30-35	0.5	11	24	2:1	600	DH4
MNM027032C3024	2.75-3.2	30-36	0.5	11	24	1.5:1	600	DH18
MNM028030G3030	2.8-3.0	30	0.5	5	30	1.5:1	1000	BH3/BH4
MNM028030G3027	2.8-3.0	30	0.5	4	27	2:1	700	BH3/BH4
MNM028030G3023	2.8-3.0	30	0.5	3	23	2:1	350	BH3/BH4
MNM029031G3030	2.9-3.1	30	0.5	5	30	2:1	1000	BH3/BH4
MNM029031G3027	2.9-3.1	30	0.5	4	27	2:1	700	BH3/BH4
MNM029031G3023	2.9-3.1	30	0.5	3	23	2:1	350	BH3/BH4
MNM029034G3020	2.9-3.4	30	1	1.5	20	1.8:1	250	BH3/BH4
MNM030032G3030	3-3.2	30	0.5	5	30	2:1	1000	BH3/BH4
MNM030032G3027	3-3.2	30	0.5	4	27	2:1	700	BH3/BH4
MNM030032G3023	3-3.2	30	0.5	3	23	2:1	350	BH3/BH4
MNM031033G3030	3.1-3.3	30	0.5	5	30	2:1	1000	BH3/BH4
MNM031033G3027	3.1-3.3	30	0.5	4	27	2:1	700	BH3/BH4
MNM031033G3023	3.1-3.3	30	0.5	3	23	2:1	350	BH3/BH4
MNM032034G3030	3.2-3.4	30	0.5	5	30	2:1	1000	BH3/BH4
MNM032034G3027	3.2-3.4	30	0.5	4	27	2:1	700	BH3/BH4
MNM032034G3023	3.2-3.4	30	0.5	3	23	2:1	350	BH3/BH4
MNM033035G3030	3.3-3.5	30	0.5	5	30	2:1	1000	BH3/BH4
MNM033035G3027	3.3-3.5	30	0.5	4	27	2:1	700	BH3/BH4
MNM033035G3023	3.3-3.5	30	0.5	3	23	2:1	350	BH3/BH4
MNM034042G1520	3.4-4.2	15-20	1	2	15-20	2:1	170	BH2
MNM034042G2022	3.4-4.2	20	0.4	1.5	22	1.4:1.6	170	BH3/BH4
MNM034036G3030	3.4-3.6	30	0.5	5	30	2:1	1000	BH3/BH4
MNM034036G3027	3.4-3.6	30	0.5	4	27	2:1	700	BH3/BH4
MNM034036G3023	3.4-3.6	30	0.5	3	23	2:1	350	BH3/BH4
MNM035037G3030	3.5-3.7	30	0.5	5	30	2:1	1000	BH3/BH4
MNM035037G3027	3.5-3.7	30	0.5	4	27	2:1	700	BH3/BH4
MNM035037G3023	3.5-3.7	30	0.5	3	23	2:1	350	BH3/BH4
MNM036038G3030	3.6-3.8	30	0.5	5	30	2:1	1000	BH3/BH4
MNM036038G3027	3.6-3.8	30	0.5	4	27	2:1	700	BH3/BH4
MNM036038G3023	3.6-3.8	30	0.5	3	23	2:1	350	BH3/BH4
MNM037042G3030	3.7-4.2	30	0.5	5	30	2:1	1000	BH3/BH4
MNM037042G3027	3.7-4.2	30	0.5	4	27	2:1	700	BH3/BH4



NARROW BAND MEDIUM POWER AMPLIFIER

Part Number	Frequency Range (GHz)	Gain (dB.Min)	SS Flatness (\pm dB.Max.)	N.F (dB.Max)	P1dB (dBm.min)	VSWR Max	Current@ 12-15 VDC (mA. Typ)	Case Type
MNM037042G3023	3.7-4.2	30	0.5	3	23	2:1	350	BH3/BH4
MNM040045G3620	4-4.5	36	1.5	1.5	20	/	250	BH16
MNM044050G3030	4.4-5	30	0.5	5	30	2:1	1000	BH3/BH4
MNM044050G3027	4.4-5	30	2.0	6	27	2:1	750	DH4
MNM044050G3023	4.4-5	30	0.5	3	23	2:1	350	BH3/BH4
MNM044051G4611	4.4-5.1	46	1	1.1	12	2:1	225	BH4
MNM053059G3030	5.3-5.9	30	0.5	5	30	2:1	1000	BH3/BH4
MNM053059G3027	5.3-5.9	30	0.75	4	27	2:1	700	BH8
MNM053059G3023	5.3-5.9	30	0.75	3	23	2:1	350	DH4
MNM059064G3030	5.9-6.4	30	0.5	5	30	2:1	1000	BH3/BH4
MNM059064G3027	5.9-6.4	30	0.5	4	27	2:1	700	BH3/BH4
MNM059064G3023	5.9-6.4	30	0.5	3	23	2:1	350	BH3/BH4
MNM061066G3620	6.1-6.6	36	1.5	1.5	20	/	250	BH16
MNM064072G3030	6.4-7.2	30	0.5	5	30	2:1	1000	BH3/BH4
MNM064072G3027	6.4-7.2	30	0.5	4	27	2:1	700	BH3/BH4
MNM064072G3023	6.4-7.2	30	0.5	3	23	2:1	350	BH3/BH4
MNM072078G3030	7.2-7.8	30	0.5	6	30	2:1	1000	BH3/BH4
MNM072078G3027	7.2-7.8	30	0.5	5	27	2:1	700	BH3/BH4
MNM072078G3023	7.2-7.8	30	0.5	4	23	2:1	350	BH3/BH4
MNM072077G2022	7.25-7.75	20-22	0.4	1.7	22	1.7~1.6	170	BH2
MNM079084G3030	7.9-8.4	30	0.5	6	30	2:1	1000	BH3/BH4
MNM079084G3027	7.9-8.4	30	0.5	5	27	2:1	700	BH3/BH4
MNM079084G3023	7.9-8.4	30	0.5	4	23	2:1	350	DH4
MNM085096G3030	8.5-9.6	30	1	6	30	2:1	1000	BH3/BH4
MNM085096G3027	8.5-9.6	30	1	5	27	2:1	700	BH3/BH4
MNM085096G3023	8.5-9.6	30	1	4	23	2:1	350	BH3/BH4
MNM090095G3030	9-9.5	30	0.5	6	30	2:1	1000	BH3/BH4
MNM090095G3027	9-9.5	30	0.5	5	27	2:1	700	BH3/BH4
MNM090095G3023	9-9.5	30	0.5	4	23	2:1	350	BH3/BH4
MNM090096G2626	9-9.6	26	1 Typ	/	26	2:1	900	DH4
MNM095105G3030	9.5-10.5	30	1	6	30	2:1	1000	BH3/BH4
MNM095105G3027	9.5-10.5	30	1	5	27	2:1	700	BH3/BH4
MNM095105G3023	9.5-10.5	30	1	4	23	2:1	350	BH3/BH4
MNM107117G3030	10.7-11.7	30	1	6	30	2:1	1100	BH3/BH4



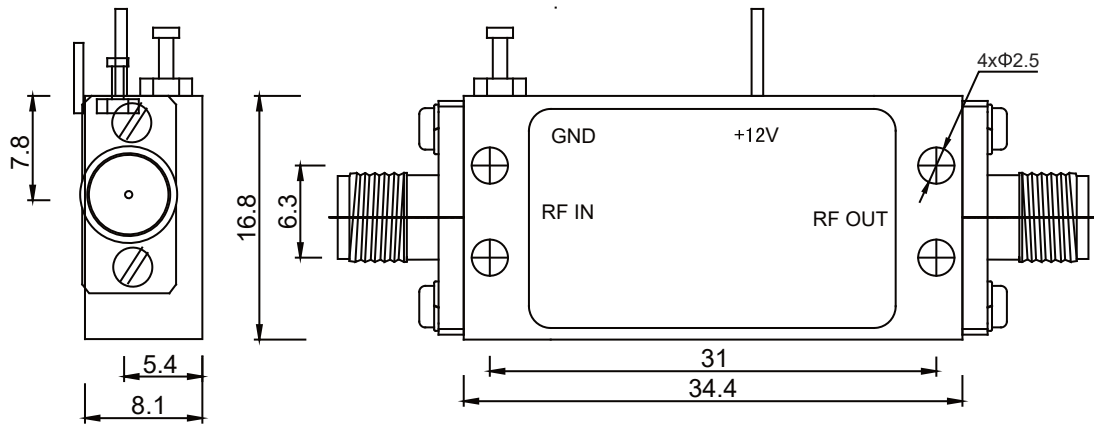
NARROW BAND MEDIUM POWER AMPLIFIER

Part Number	Frequency Range (GHz)	Gain (dB.Min)	SS Flatness (±dB.Max.)	N.F (dB.Max)	P1dB (dBm.min)	VSWR Max	Current@ 12-15 VDC (mA. Typ)	Case Type
MNM107117G3027	10.7-11.7	30	1	5	27	2:1	800	BH3/BH4
MNM107117G3023	10.7-11.7	30	1	4	23	2:1	350	BH3/BH4
MNM108118G2320	10.8-11.8	23	1	6	20	1.8:1	200	DH4
MNM117122G3030	11.7-12.2	30	1	6	30	2:1	1100	BH3/BH4
MNM117122G3027	11.7-12.2	30	1	5	27	2:1	800	BH3/BH4
MNM117122G3023	11.7-12.2	30	1	4	23	2:1	350	BH3/BH4
MNM122127G3030	12.2-12.7	30	0.5	6	30	2:1	1100	BH3/BH4
MNM122127G3027	12.2-12.7	30	0.5	5	27	2:1	800	BH3/BH4
MNM122127G3023	12.2-12.7	30	0.5	4	23	2:1	350	BH3/BH4
MNM127132G3030	12.7-13.2	30	0.5	6	30	2:1	1100	BH3/BH4
MNM127132G3027	12.7-13.2	30	0.5	5	27	2:1	800	BH3/BH4
MNM127132G3023	12.7-13.2	30	0.5	4	23	2:1	350	BH3/BH4
MNM132142G3030	13.2-14.2	30	0.5	6	30	2:1	1100	BH8
MNM132142G3027	13.2-14.2	30	1	5	27	2:1	800	BH3/BH4
MNM132142G3023	13.2-14.2	30	1	4	23	2:1	400	BH3/BH4
MNM139141G1623	16.9-14.1	16	0.25	6	23	1.5:1	300	DH4
MNM140145G3030	14-14.5	30	1	6	30	2:1	1100	BH3/BH4
MNM140145G3027	14-14.5	30	1	5	27	2:1	800	BH3/BH4
MNM140145G3023	14-14.5	30	1	4	23	2:1	400	BH3/BH4
MNM145153G3030	14.5-15.3	30	1	6	30	2:1	1100	BH3/BH4
MNM145153G3027	14.5-15.3	30	1	5	27	2:1	800	BH8
MNM145153G3023	14.5-15.3	30	1	4	23	2:1	400	BH3/BH4
MNM149151G1623	14.9-15.1	16	0.25	6	23	1.5:1	300	DH4
MNM155165G3030	15.5-16.5	30	1	7	30	2:1	1100	BH3/BH4
MNM155165G3027	15.5-16.5	30	1	6	27	2:1	800	BH3/BH4
MNM155165G3023	15.5-16.5	30	1	5	23	2:1	400	BH3/BH4
MNM159161G1623	15.9-16.1	16	0.25	6	23	1.5:1	300	DH4
MNM165175G3030	16.5-17.5	30	1	7	30	2:1	1100	BH3/BH4
MNM165175G3027	16.5-17.5	30	1	6	27	2:1	800	BH3/BH4
MNM165175G3023	16.5-17.5	30	1	5	23	2:1	400	BH3/BH4
MNM170180G3029	17-18	30	1	7	29	2:1	1500	BH3/BH4
MNM170180G3026	17-18	30	1	6	26	2:1	800	BH3/BH4
MNM170180G3024	17-18	30	1	5	24	2:1	400	BH3/BH4

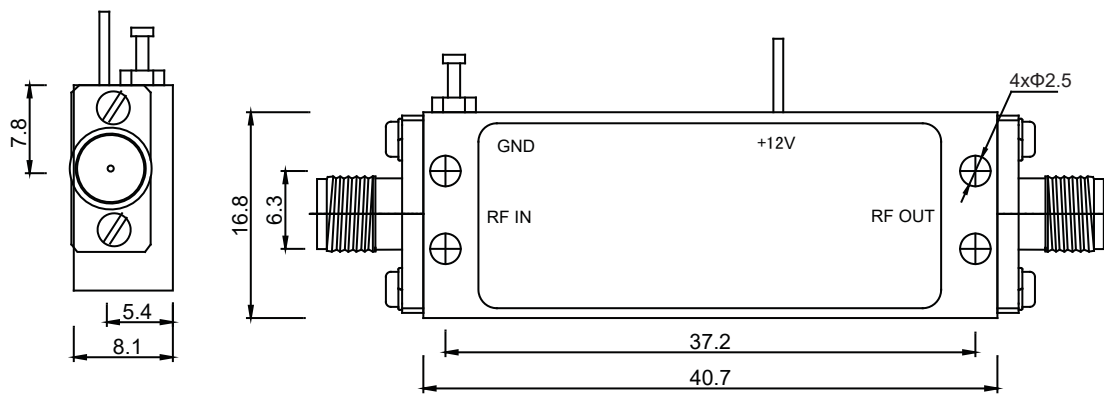


NARROW BAND MEDIUM POWER AMPLIFIER

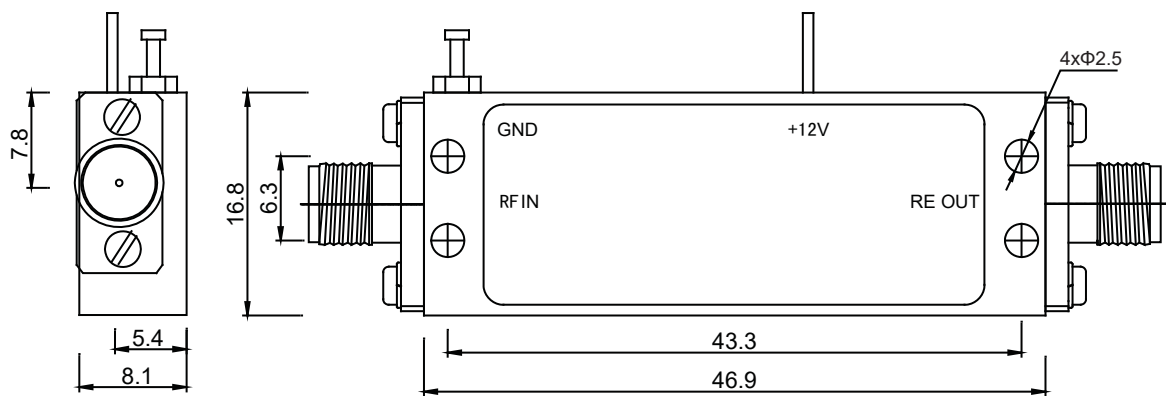
Part Number	Frequency Range (GHz)	Gain (dB.Min)	SS Flatness (\pm dB.Max.)	N.F (dB.Max)	P1dB (dBm.min)	VSWR Max	Current@ 12-15 VDC (mA. Typ)	Case Type
MNM170180G3030	17-18	30	1	7	30	2:1	1500	BH3/BH4
MNM170180G3027	17-18	30	1	6	27	2:1	800	BH3/BH4
MNM170180G3023	17-18	30	1	5	23	2:1	400	BH3/BH4
MNM174176G1623	17.4-17.6	16	0.25	6	23	1.5:1	300	DH4
MNM229231G1623	22.9-23.1	16	0.25	6	23	1.5:1	300	DH4
MNM239241G1623	23.9-24.1	16	0.25	6	23	1.5:1	300	DH4
MNM249251G1623	24.9-25.1	16	0.25	6	23	1.5:1	300	DH4



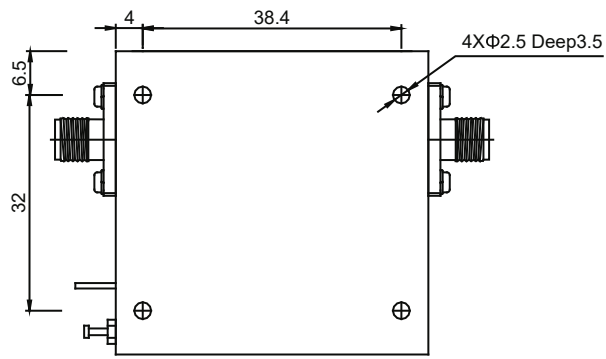
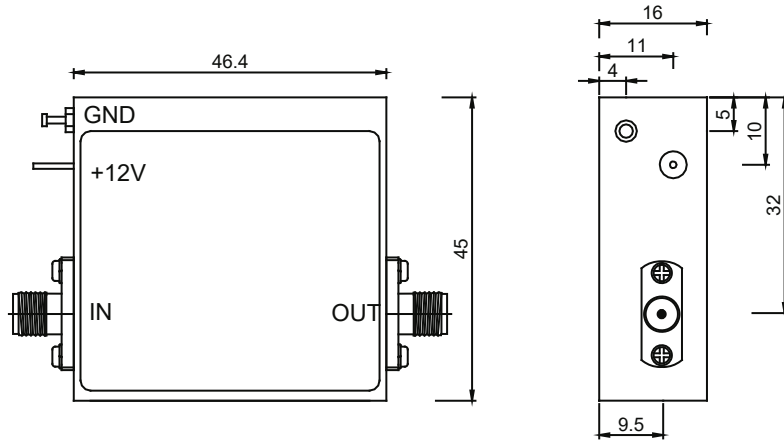
BH2



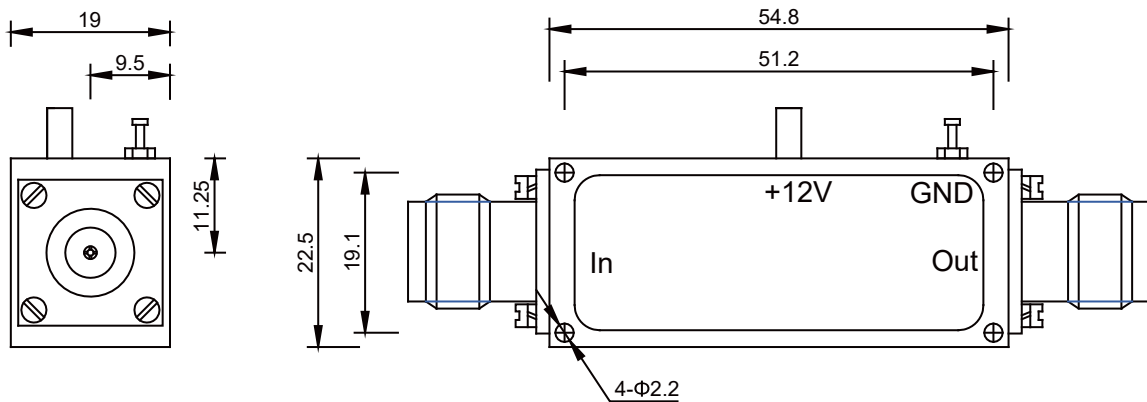
BH3



BH4



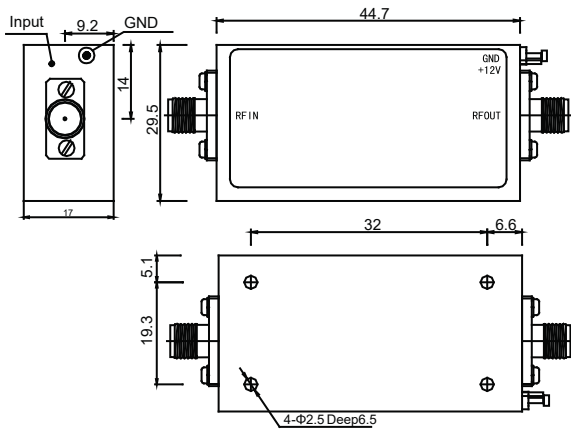
BH8



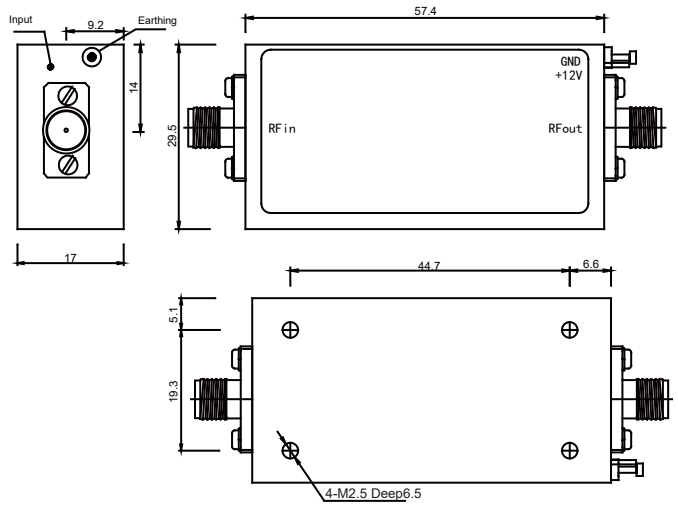
BH16



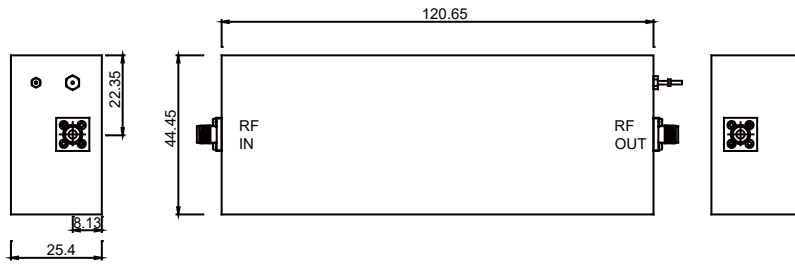
NARROW BAND MEDIUM POWER AMPLIFIER



DH4



DH6



DH18